

AMSTERDAM METRO

CONNECT TO AMSIX, NL-IX, VANCIS AND NIKHEF THROUGH AWARD WINNING GREEN ENERGY EFFICIENT DATA CENTERS

Our Amsterdam data centers are business hubs for 760+ companies. Equinix's Amsterdam customers can choose from a broad range of network services from 150+ providers. They can also interconnect to customers and partners in their digital supply chain.

Our Amsterdam data centers offer state of the art colocation services providing plenty of available capacity for now and in the future. We host connectivity to major cloud service providers that include AWS, Microsoft Azure, IBM Softlayer and Google Cloud. Customers at our Amsterdam colocation facilities can take advantage of peering opportunities with the Amsterdam Internet Exchange (AMS-IX) and the Neutral Internet Exchange (NL-ix), where approximately 1000 ISPs, telecommunications carriers, content providers and hosting services from all over the world interconnect. We use sustainable technologies in our Amsterdam data centers to help our customers realize significant energy savings and reduce their CO2 emissions.



Amsterdam metro facilities

The Equinix metro International Business Exchange™ (IBX®) data centers consists of seven buildings with 39,950+ square meters (430,000+ square feet) of colocation space. Awarded the EU Code of Conduct for Energy Efficiency and certified for ISO 50001 (energy management) ensures our clients' deployments are more energy efficient.

Equinix value by vertical

For network service providers

- Access 150+ direct network customers of Equinix plus a further 200 through our hosted carrier hotels Vancis and NIKHEF, as well as to AMS-IX and NL-ix, two key internet exchanges
- Equinix AM3, Vancis and NIKHEF form a darkfiber meshed campus, offering access to 1,000+ organizations via simple cross-connect
- Direct-access to multiple mobile service provider core nodes including Syniverse, RIM and Opera and peer with the GRX Peering Exchange for mobile network operators

For enterprises

- Ability to reach 80% of Europe within 50 ms makes this location ideal for enterprises
- Performance Hub™ enables next generation Wide Area Network (WAN) architecture for secure and highly reliable connectivity to 150+ network service providers and 310+ Cloud and IT Services
- On-demand and direct access to multiple cloud providers via the Equinix Cloud Exchange™



Equinix AM3 IBX data center exterior

For cloud and IT services providers

- Ideal entry point for cloud providers establishing presence in Europe with direct access to hundreds of carriers and diverse ecosystems
- Powered by the Equinix Cloud Exchange™ for direct, cost effective, secure consumption and delivery of cloud services, globally
- Ability to connect to 760+ customers, partners, content providers, networks and internet service providers

For content and digital media

- Access to a large ecosystem of ad technology providers and suppliers via the Equinix Ad-IX ecosystem
- Interconnect with 150+ network service providers and 95+ content & digital media providers
- Strong peering and CDN base (Akamai, Limelight, Level 3) to reduce latency and help improve user experience
- Close proximity to the content production hub of Hilversum

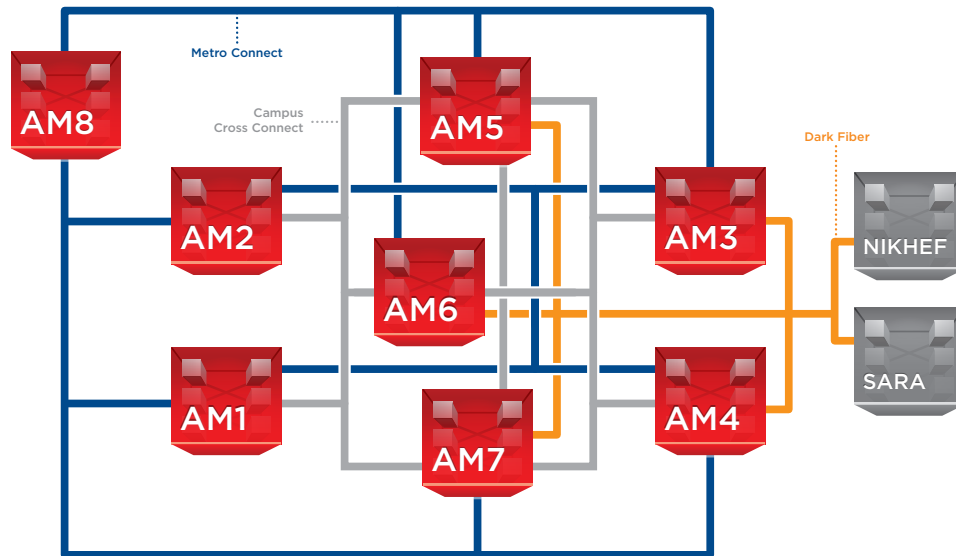


Equinix AM3 IBX data center customer area

For financial services

- Rich payments and networks ecosystem available to support Dutch FinTech businesses

Connectivity options through Equinix



Where both Campus Cross Connect and Metro Connect are available between a pair of Sites only Campus Cross Connect should be provided

Reasons to believe in us

Global data centers

- 200 data centers, 52 major markets, \$21B+ capital invested in capacity/new markets, global availability 99.9999%+

Connected

- 1,700+ networks, 270,000+ cross connects, less than 10ms latency to 90% of the population of North America, Western Europe, top markets in Asia-Pacific and Brazil

Partners, customers and prospects

- Blue-chip customer base of 9,800+ global businesses across 24 countries, on 5 continents representing network, digital media, financial services, cloud/IT and enterprise leaders

Equinix customer count per vertical



Contact Us

Phone: +31 20 890 8009

Web: Equinix.nl/contact-us/sales